



### At a glance

**8.4" Transflective colour touch screen, 640 x 480 pixel, 256K colours**

**Ethernet port for connection to network or DCU**

**4 switched inputs via MK 14 expansion module**

**4 relay outputs via MK 14 expansion module**

**Audio line output for auxiliary speakers**

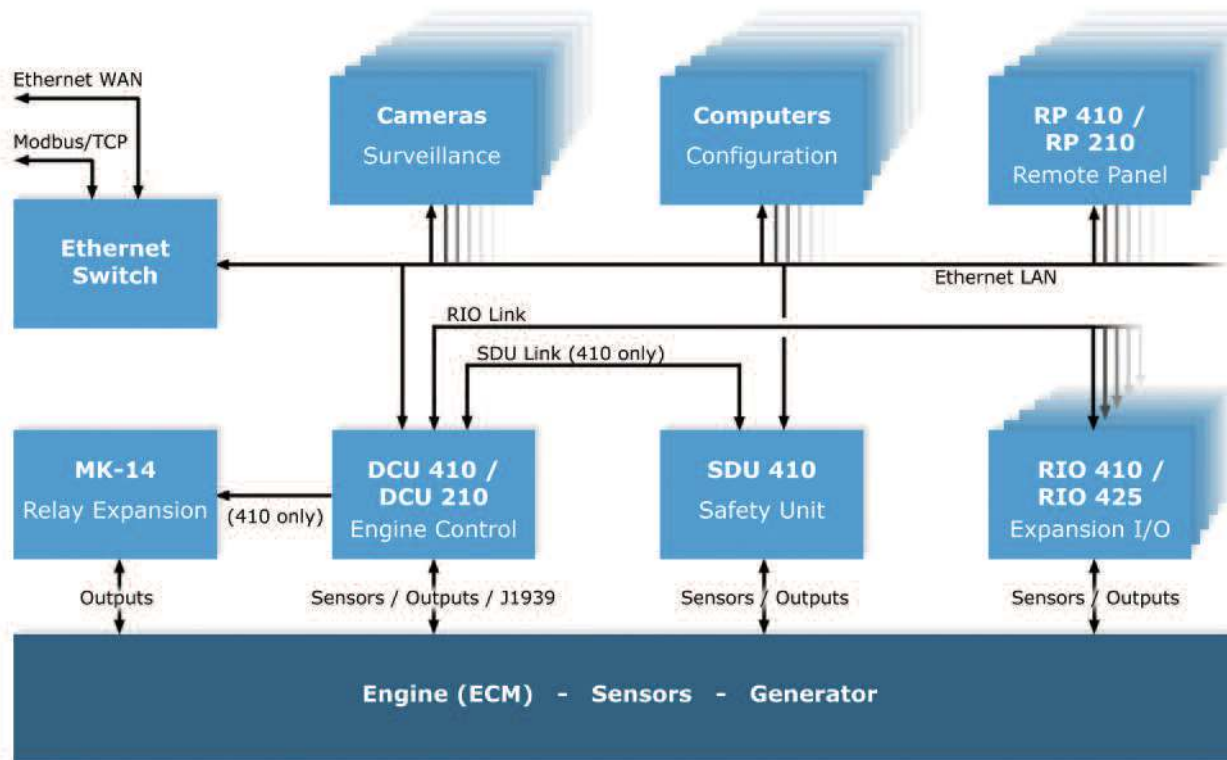
**Consul mount, IP56 front rated**

**Requires 24V power supply**

**Supports up to 8 DCU's**

### Why customers select the RP 410

- **HI Resolution, daylight viewable colour touch screen display presents data clearly and precisely**
- **11 languages changeable by one button at any station**
- **USB port allows quick and easy updating / downloading of data**
- **Configurable templates to match applications & users**
- **User selectable back light modes including a night mode**
- **Literally "Plug and Play" – auto configured greatly reduces installation/commissioning costs**
- **Multiple remote panels connectable over any practical distance**
- **Programmable logic for "Active" stations and "Priority" control**
- **Classification Society Type Approved BY 8 IACS members**
- **Supports up to 4 IP cameras, negating the need for CCTV system**



## Features and Benefits

**Clear, precise indications**

- 8.4" Transflective touchscreen panel, 800 x 600 pixel
- Selectable Auto dimming mode dependant on ambient light plus a night mode
- Multiple Sounds available and linked to specific events provide unique identification of event
- Intuitive operation via icons rather than text

**Ease of installation**

- Communicates via Ethernet – only one cable required
- Multiple engines can be displayed on one panel
- No special tools to connect

**No user configuration required**

- Automatically configures itself when connected to a DCU
- Automatic "conflict" notification if new configurations loaded elsewhere

**Multiple monitoring positions**

- No practical limit to number of monitoring positions
- 1200 m installation limit from DCU
- Each RP 410 dedicated to specific DCU's if required
- Multiple languages (11) including Chinese and Russian installed

### Technical and Production

Auto-Maskin AS  
 Sophie Radichs vei 7  
 NO-2003 Lillestrøm, Norway  
 Tel.: +47 64 84 52 00  
 Fax: +47 64 84 52 12  
 E-mail: office@auto-maskin.com  
 Web: www.auto-maskin.com

### Ordering Info

Item	Part Number
DCU 410	1006450
DCU 408	1006455
SDU 410	1006451
RIO 410	1006453
RIO 425	1006457
RP 410	1006452
MK-14	1121252