



At a glance

5.7" colour touch screen,
320 x 240 pixel

Ethernet port for connection to network
or DCU

USB port available

Automatically configures itself to a DCU

Audio line output for auxiliary speakers

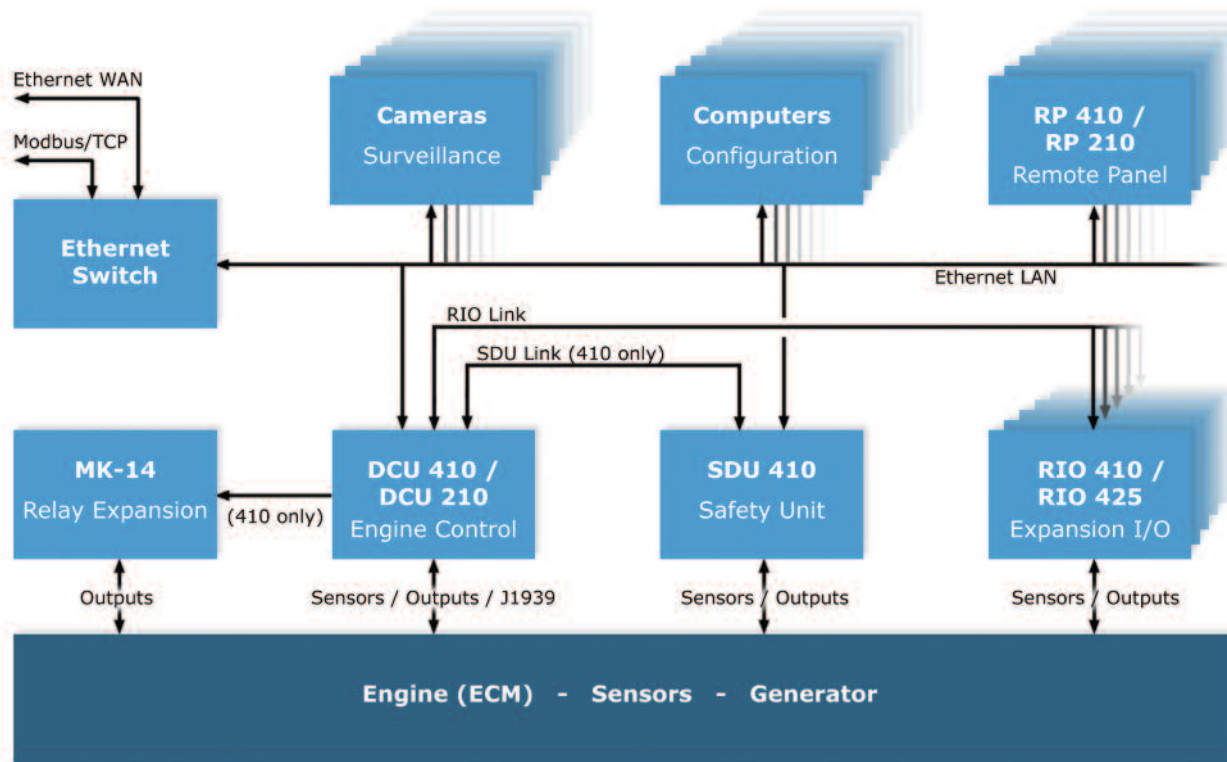
Console mount, IP44 front rated

12V or 24V power supply

Supports 1 DCU

Why customers select the RP 210

- Daylight viewable colour touch screen display presents data clearly and precisely
- Several languages changeable by one button at any station
- USB port allows quick and easy updating / downloading of data
- Configurable templates to match applications & users
- Small size reduces cost and has less impact on crowded consoles
- Same operation as larger 400 series
- Can be "Mixed and Matched" with 400 series on same network
- Literally "Plug and Play" - auto configured greatly reduces installation/commissioning costs



Features and Benefits

Clear, precise indications

5.7" Transflective touchscreen panel

- Multiple Sounds available and linked to specific events provide unique identification of event

- Intuitive operation via icons rather than text

Ease of installation

Communicates via Ethernet – only one cable required

- USB port allows for easy upgrading of firmware

- No special tools to connect

No user configuration required

Automatically configures itself when connected to a DCU

- Automatic "conflict" notification if new configurations loaded elsewhere

- Backup possible via a standard USB connection

Multiple monitoring positions

No practical limit to number of monitoring positions

- 1200 m installation limit from DCU

- Each RP 210 dedicated to specific DCU's

- Multiple languages including Chinese and Russian installed

Ordering Info

Technical and Production

Auto-Maskin AS
 Hvamsvingen 22
 NO-2013 Skjetten, Norway
 Tel.: +47 64 84 52 00
 E-mail: office@auto-maskin.com
 Web: www.auto-maskin.com

Item	Part Number
RP 210	1006482
DCU 210	1006481
DCU 410	1006450
DCU 408	1006455
SDU 410	1006451
RIO 410	1006453
RIO 425	1006457
RP 410	1006452
MK-14	1121252