

L-Series Position Controller

Applications

The L-Series Position Controller provides a building block approach to total engine management. The microprocessor-based bi-directional actuator design easily attaches to fuel pumps, mixers, or throttle bodies.

Description

The L-Series Position Controller accepts a position command and drives the 0–60 degree output shaft to the commanded position based on an internal shaft position sensor. The high-efficiency torque motor delivers 0.34 N·m (0.25 lb-ft) nominally over 60° travel range to operate fuel or air control devices (see specifications for torque performance over the full product temperature range).

The L-Series Position Controller accepts either a PWM, 0–5 V, or CAN command for output positioning. The command signals are issued by the appropriate supervisory engine management system, and the L-Series must be set up properly in software to expect the correct signal for the application.

For status purposes, a relay driver output is available on the L-Series control which changes state whenever a fault or error condition is experienced by the controller.

The L-Series provides a direct position output signal in the form of a dc voltage if required by the system. The throttle position (TPS) output represents full counterclockwise-to-clockwise rotation of the actuator shaft, and thus gives the operator an external position indication.

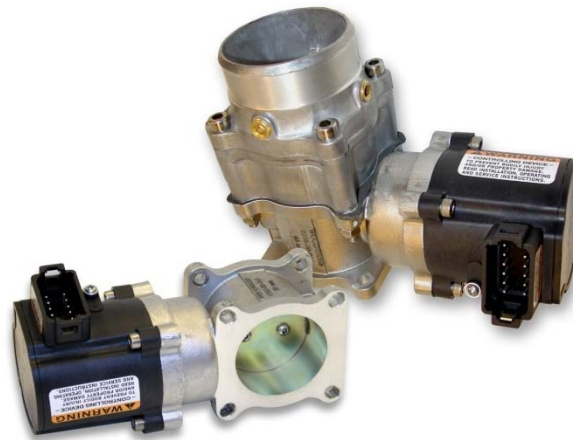
Besides the traditional bracket mount using external linkage, the L-Series control is available in a variety of mechanical configurations, including integration with diesel fuel pumps, throttle bodies, and mixers (product spec 03222). The shaft rotation can be configured for clockwise or counterclockwise rotation for increasing fuel. For information on Woodward throttle body applications, refer to manual 26249 (ITB and LC-50).

Woodward offers optional mounting kits for Stanadyne DB-series or Delphi fuel injection pumps, providing an integrated control solution.

Woodward also offers L-Series actuator versions for Speed Control (manual 26250) and Process Control (manual 26251), like Air/Fuel Ratio control, applications.

To learn more about the new L-Series actuators, contact Woodward today.

Technical Manual 26237 (standard) or 26289 (w/ CAN)



- Low cost, small package actuator
- Extremely fast, bi-directional, electronically positioned in both directions
- All-electric actuator requires no drive or hydraulic supply
- 60° (±2°) rotary output
- Single or redundant position command signals
- Advanced diagnostics
- Tamper-resistant
- Configurable parameters to tailor to varied applications
- Easy setup and tuning using PC-based Service Tool
- Optional CANopen and J1939 CAN communications

Specifications

| | |
|--------------------------|--|
| Power Supply | 12/24 V systems (10–32 Vdc) reverse polarity protection |
| Power Consumption | 32 W maximum |
| Envelope | 2.618" x 2.618" x 2.540" (66.50 x 66.50 x 64.52 mm) |
| Travel | 60 ±2 degrees |
| Torque | Nominal: 0.34 N·m (0.25 lb-ft) at 25 °C Maximum Transient (at 105 °C): 0.20 N·m (0.15 lb-ft) Minimum Continuous (at 105 °C): 0.14 N·m (0.10 lb-ft) |
| Mass/Weight | 425 g (15 oz) |
| Command Input | PWM (5–32 V, 300–1500 Hz), CAN, or Analog (0–5 V) |
| Position Feedback Output | 0.75 V (full ccw) to 4.25 V (full cw) |
| Discrete Input | Optional Run Enable |
| Discrete Output | Low side output driver; software configurable |
| Programming Port | Programmable with Windows® GUI software (9927-1222) and harness (8923-1061) |

Performance

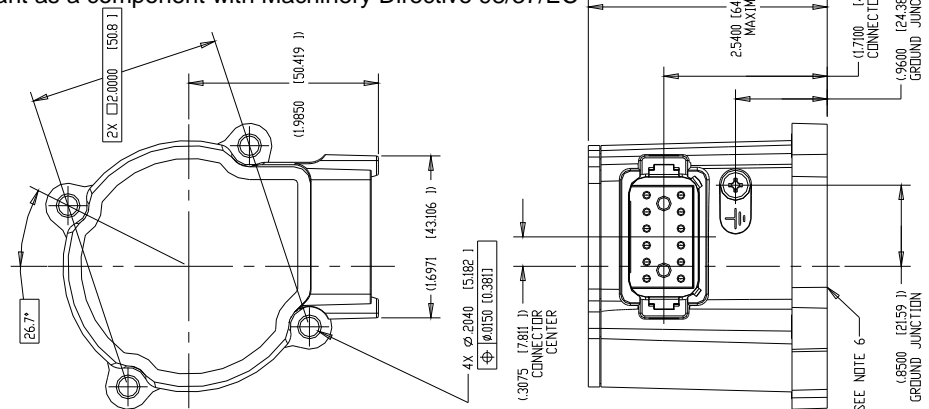
| | |
|----------------------|---|
| Positioning Accuracy | ±2% at 25 °C |
| Slew Time 10%–90% | ±4% (analog), ±3.6% (PWM), ±3% (CAN)—over temp. range |
| Roll-off | 33 ms, 1% overshoot, 10 ms settling time 32 Hz (–6 dB at ±0.5% Input), 8 Hz (–3 dB at ±2% input) |

Environment

| | |
|-----------------------|--|
| Operating Temperature | –40 to +105 °C (–40 to +221 °F) |
| Storage Temperature | –40 to +125 °C (–40 to +257 °F) |
| EMC | EN61000-6-2: Immunity for Industrial Environments EN61000-6-4: Emissions for Industrial Environments SAE J1113-21: Radiated Immunity (100 V/m) SAE J1113-11: Conducted Transient Immunity – Pulse 5b, Suppressed Load Dump (45 V) |
| Humidity | US MIL-STD 810E, Method 507.3, Procedure III |
| Shock | MS1-40G 11ms sawtooth |
| Vibration | Random: 0.3 G ² /Hz, 10–2000 Hz (22.1 Grms) 3 h/axis Sine: 5 G 2.5 mm peak-to-peak, 5–2000 Hz, 3 h/axis, 90 min dwells, 1 octave/min |
| Thermal Shock | SAE J1455, Paragraph 4.1.3.2 |
| Fluid Resistance | IP56 per EN60529 |

Compliance

| | |
|-------|--|
| CSA | Class I, Division 2, Groups A, B, C, D T3C |
| CE | Compliant with EMC Directive 89/336/EEC |
| Other | Compliant as a component with Machinery Directive 98/37/EC |



PO Box 1519, Fort Collins CO, USA 80522-1519
1000 East Drake Road, Fort Collins CO 80525
Tel.: +1 (970) 482-5811 ♦ Fax: +1 (970) 498-3058
www.woodward.com

Distributors & Service

Woodward has an international network of distributors and service facilities. For your nearest representative, call the Fort Collins plant or see the Worldwide Directory on our website.

This document is distributed for informational purposes only. It is not to be construed as creating or becoming part of any Woodward Governor Company contractual or warranty obligation unless expressly stated in a written sales contract.

© Woodward 2003, All Rights Reserved

For more information contact:

2009/12/Fort Collins