



WOODWARD

Product Specification
36501

Product Information

7000 Rotary Actuator

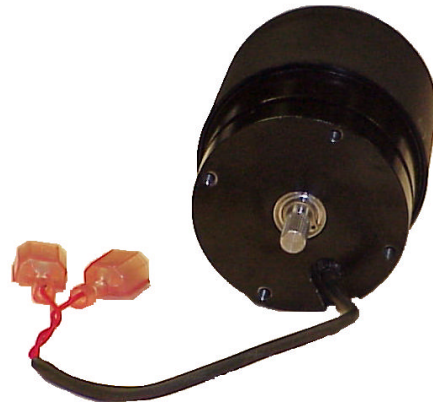
General

The DYNA 7000 Rotary Actuator provides a new dimension in size and versatility for spark ignited and diesel engines.

This proven rotary design has been field tested over the last ten years.

The actuator design utilizes the principle of variable reluctance. This simple design of a proportional electric solenoid has a rotating armature whose angular position is proportional to input coil current.

The 70 degrees of rotation and small size enhance the overall mounting and interface with a variety of fuel systems. The actuator is suitable for installation on gasoline, natural gas and diesel engines. On carbureted and throttle body applications, a direct connection between actuator shaft and butterfly shaft is possible, thus eliminating external linkage.



Standard Features:

- All electric
- Fast response
- Small — Compact
- Precise repeatability
- Spring return to min fuel
- One moving part
- Servo Mount

Typical Applications:

- Speed governing
- Generator sets
- Forklift trucks
- Power carts
- Off-road vehicles
- Pump sets
- Wood chippers

DYNC 70000-001-0-12 Clockwise Rotation
DYNC 70000-001-0-24 Clockwise Rotation

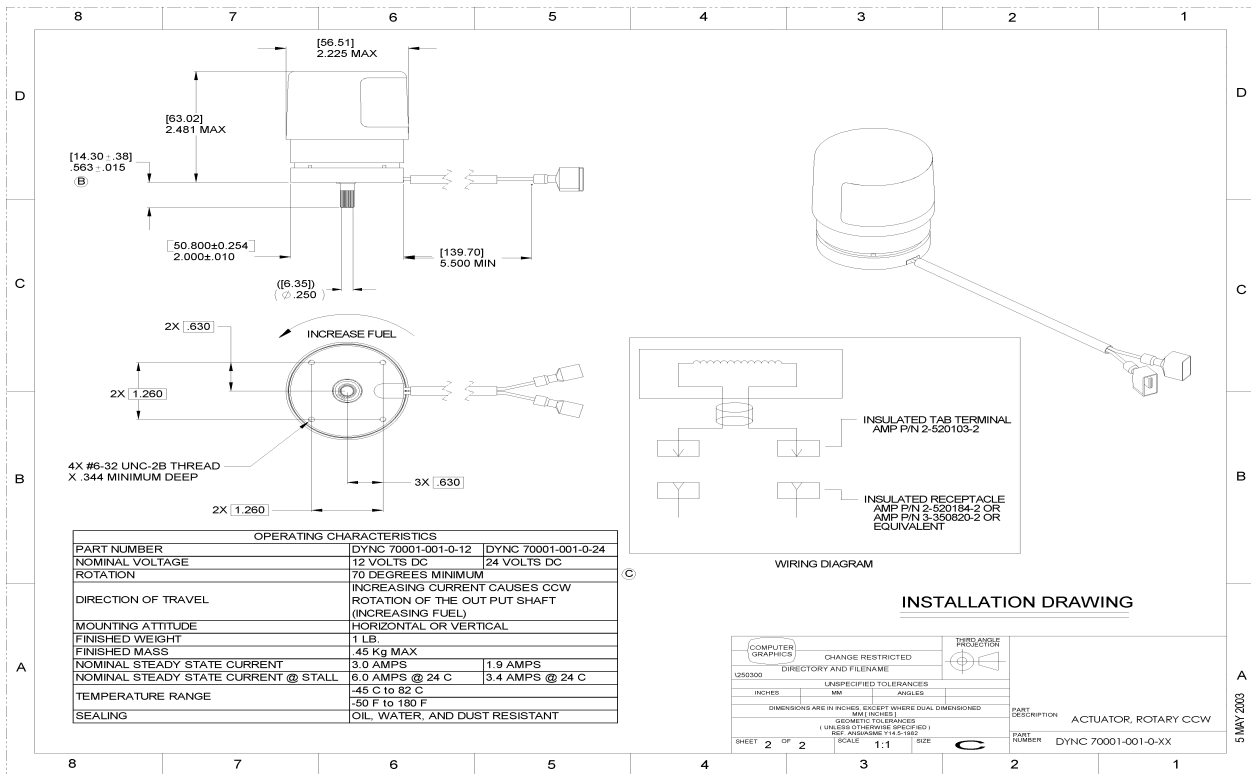
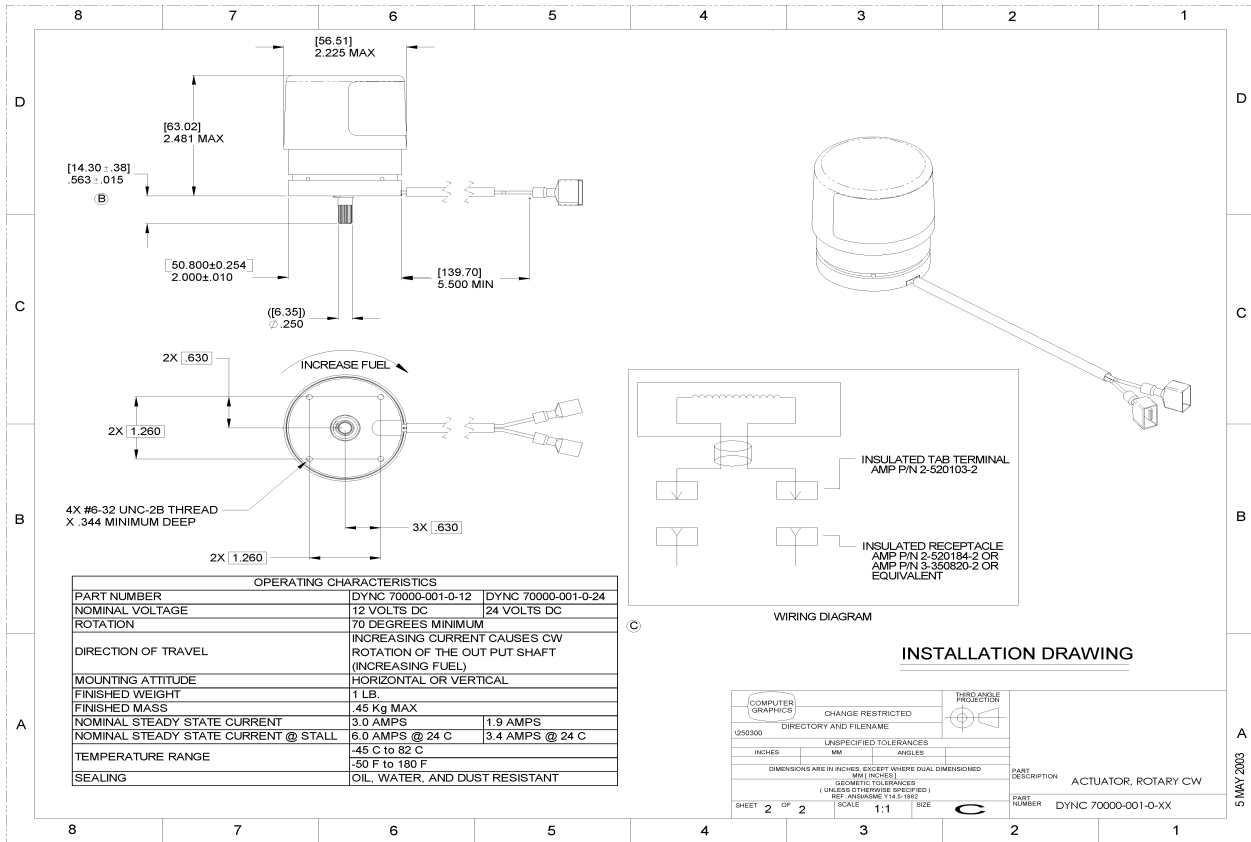
DYNC 70001-001-0-12 Counterclockwise Rotation
DYNC 70001-001-0-24 Counterclockwise Rotation

Other Models
Available:

Woodward

6250 West Howard Street
Niles, IL 60714 USA
www.woodward.com

Tel: 847-967-7730
Fax: 847-967-7832
E-mail: info_niles@woodward.com



- CAUTION -

As a safety measure, the engine should be equipped with an independent overspeed shutdown device in the event of failure which may render the governor inoperative.

- NOTE -

This Document is distributed for information purposes only. It is not to be construed as creating or becoming part of any Woodward contractual or warranty obligation unless expressly stated in a written sales contract.



6250 West Howard Street
Niles, IL 60714 USA
www.woodward.com

Tel: 847-967-7730
Fax: 847-967-7832
E-mail: info_niles@woodward.com