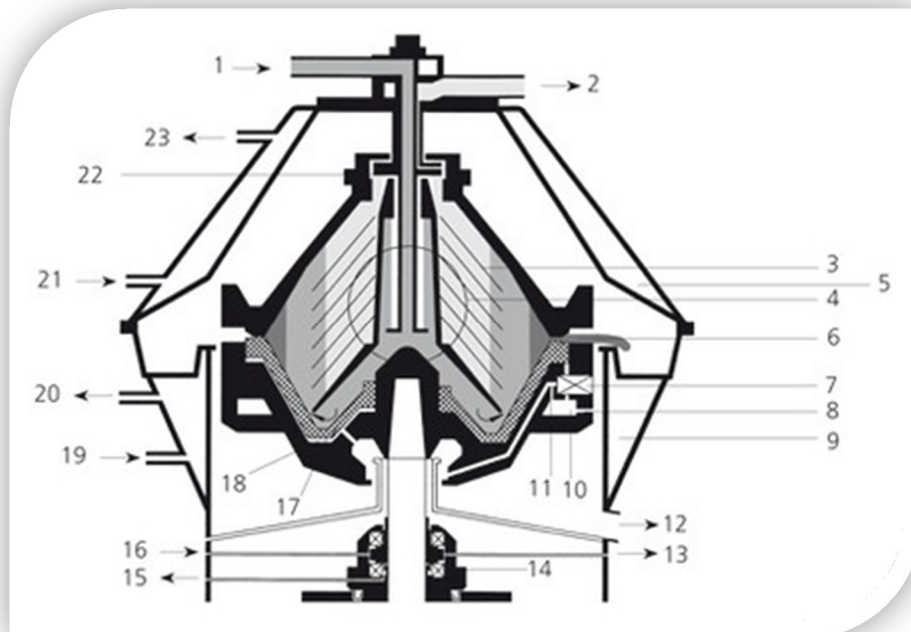


# GEA Separators in Steam-Sterilizable Design

In processes in biotechnology, for example the production of vaccines or the processing of genetically modified organisms, strictly aseptic treatment of the product is required in all apparatus. Self-cleaning separators used for the continuous separation of pathogenic and genetically modified microorganisms from fermentation solutions must be integrated in a sterile and completely closed system. This means that the entire separator system must be steam-sterilizable. All plant components such as fermenters and receiving tanks for the separated components are connected aseptically to the system.

Sterilization of the separator is carried out at standstill with saturated steam of maximum 127 °C under a pressure of up to 2.5 bar.



Steam-sterilizable separator CSC 6 / 15 / 20